

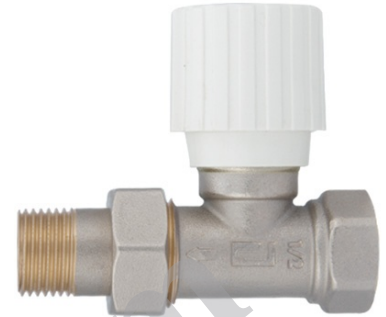
Valves / Radiator Valves / Standard Radiator Valves

CONSTRUCTIVE PROPERTIES

	STANDARD	OPTIONAL
Radiator Connection	G 1/2" B	
Sealing	Brass	
Nominal Diameter	DN 15	
Installation Connection	G 1/2" B	
Open-Close Wheel	Plastic (White)	
Material of Case	Brass - Nickel Plated	

USAGE PROPERTIES

Storage Temperature	-20 ... +60 °C	-
Conformity	TS 579	-
Max. Water Temp.	120°C	-
Max. Pressure	10 bar	-



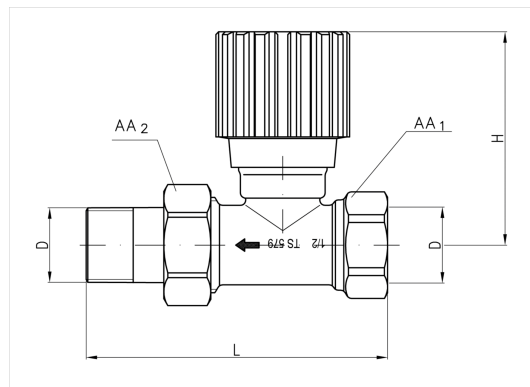
096821
Straight Type



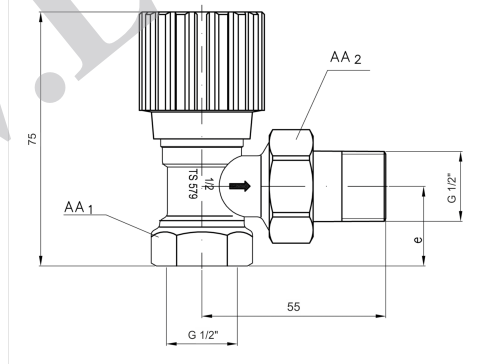
096811
Angled Type

www.Laheghi.com

Valves / Radiator Valves / Standard Radiator Valves



Model No: 096821

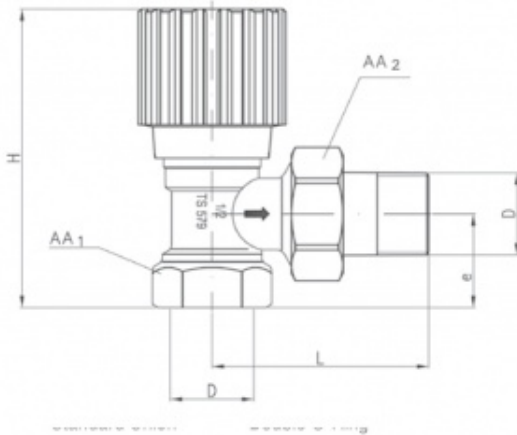


Model No: 096811



Standard Radiator Valves

► Angled Radiator Valves



- Sand Blasted** Usage Temperature
- Nickel Plated** Max. 120 °C
- PN 10** Usage
- RoHS** Angled Type
- TS 579** Areas of Usage
- TS EN ISO 9001:2008** Radiator connections in heating systems
- PG** Nominal Pressure
- PN10
- Connection Sizes
- DIN ISO 228/1
- Optional
- Chrome Plated

Connection Sizes									
	Code #		D	H	e	L	AA ₁	AA ₂	Kg
	Nickel	Chrome							
Standard Union	0968110000	0968120000	G 1/2"	75	23,5	55	27	30	0,225
Double O-Ring	0968512000	0968522000	G 1/2"	75	23,5	55	27	30	0,230